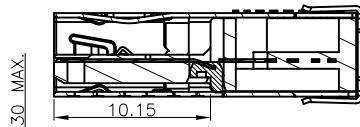
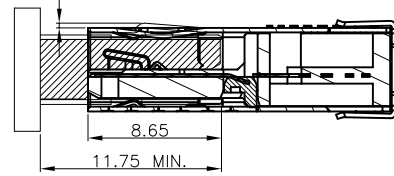


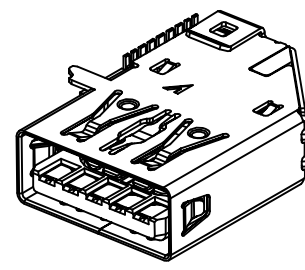
SECTION B-B



SECTION A-A



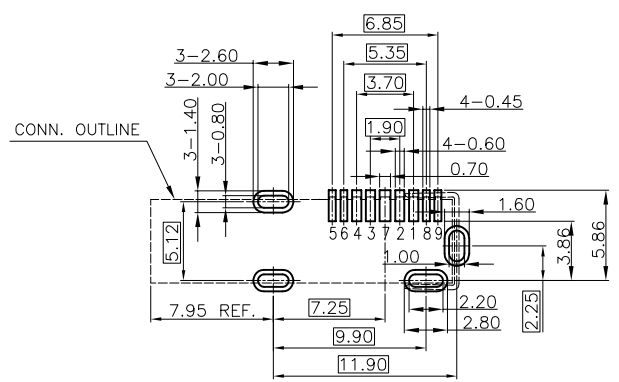
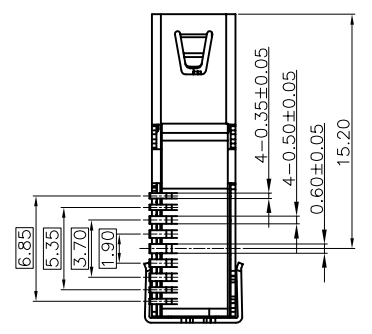
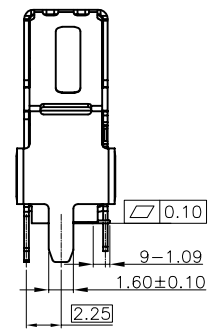
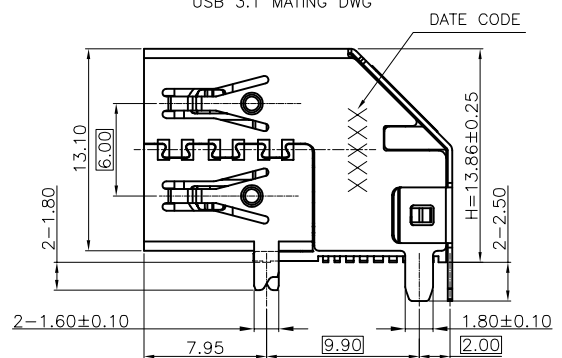
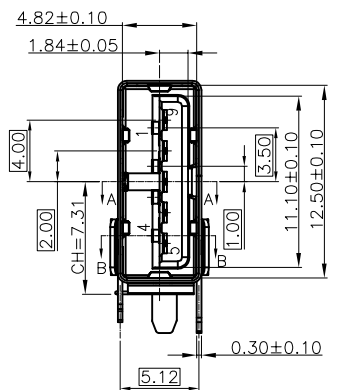
USB 3.1 MATING DWG



3D VIEW

NOTES:

- 1.MATERIAL:
 - 1.1 HOUSING: SEE TABLE
 - 1.2 CONTACTS: SEE TABLE
 - 1.3 SHELL: SEE TABLE
 - 1.4 CONDUCTIVE PLASTIC: SEE TABLE
- 2.FINISH:
 - 2.1 CONTACT: SEE P/N
 - 2.2 SHELL: SEE TABLE
- 3.THE CONNECTOR IS RoHS COMPLIANT, AND MEET USB3.1 GEN 2 DATA TRANSFER RATE REQUIREMENT
- 4.DATE CODE: XXXXXX
 - YEAR
 - MONTH
 - DATE
 - FACTORY
- 5.SPEC. PLS. REFER TO PS-30175-XXXX-XXX
- 6.PACKAGE PLS. REFER TO 31166-XXXX-XXX-PCK
- 7.P/N: 31166-009 X X-ZXX
 - CKTS
 - PACKING
 - PLATING:
 - Z01: BLUE(PANTONE 300C)
 - 2:GOLD FLASH ON CONTACT AREA



RECOMMENDED PCB LAYOUT (COMPONENT SIDE)
(TOLERANCE:±0.05)

Pin #	SIGNAL NAME
1	VBUS
2	D-
3	D+
4	GND
5	StdA_SSRX-
6	StdA_SSRX+
7	GND_DRAIN
8	StdA_SSTX-
9	StdA_SSTX+
Shell	Shield

NO	DESCRIPTION	Q'TY	MATERIAL	PLATING & COLOR
D	CONDUCTIVE PLASTIC	1	LCP+CARBON	UL 94V-0, COLOR: BLACK
C	SHELL	1	SUS304	50u" MIN. NICKEL PLATED
B	TERMINAL	9	BRASS	50u" MIN. NICKEL UNDERPLATED CONTACT AREA: SEE P/N SOLDER AREA: 80u" MIN. MATTE TIN PLATED
A	HOUSING	1	PA9T+G.F	UL 94V-0, COLOR: SEE P/N

QUALITY SYMBOLS MAJOR Ⓞ CRITICAL Ⓢ GENERAL TOLERANCES (UNLESS SPECIFIED) X. ±0.5 .X ±0.25 .XX ±0.15 .XXX ±0.1 ANGLES ±2°	DRAWN BY LIAO WAN TING '22/01/05 CHECKED BY TENG CHANG HO '22/01/05 APPROVED BY KUO JUNG HSUN '22/01/05	DATE '22/01/05 DATE '22/01/05 DATE '22/01/05		TITLE USB3.1 STD A TYPE RECEPTACLE SMT UPRIGHT, H=13.86mm
	UNITS mm SCALE X : X			